



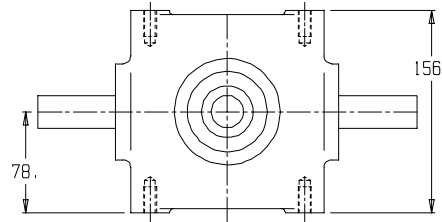
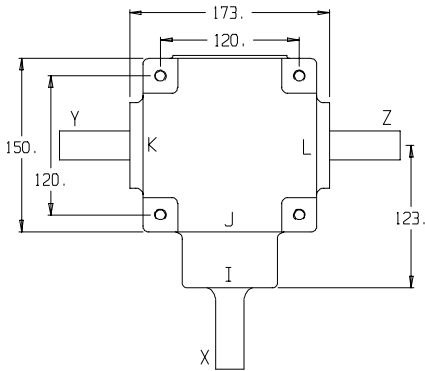
# HABRO TRANSMISSION PRODUCTS

## MISCELLANEOUS APPLICATIONS

PAGE 1 of 1

MODEL:

### EGB-7



4 MOUNTING HOLES PER SIDE  
M10 x 1.5 PITCH  
20.mm FULL THREAD

### BEARINGS

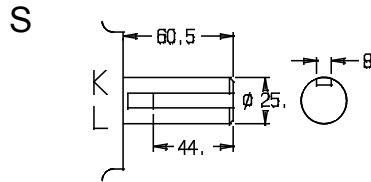
#### A & B

I & J – 6206  
K & L – 6305

#### C & D

I & J – 6007  
K & L – 6206

### SHAFT DETAILS

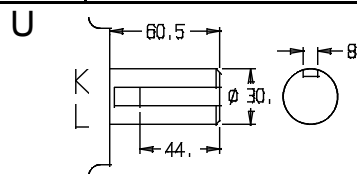
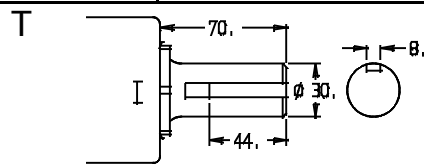


### WEIGHT

14 Kg

### GEAR LUBRICATION

SAE 90 EP  
1 LITRE



### GEARS

CASE HARDENED

### SHAFTS

HARDENED &  
GROUND

RATIO	INPUT R.P.M.	INPUT SHAFT	INPUT TYPE	POWER		OUTPUT TORQUE		SHAFTS			GEAR ASSEMBLY	CODE No
				H.P.	K.W.	Lb Ins	NM	X	Y	Z		
1:1	540	X	R	27.0	20.0	3151	356	R	S	S	1 & 2	A7R100S
			T					U	U			
			R					3 & 4	B7R100S			
			T							U	-	
			R							5 & 6	C7R100S	
			T									-
1:1	1000	X	R & T	41.0	31.0	2584	292	As listed			1 to 6	As Listed
1.5:1	540	X	R	24.0	18.0	4202	475	R	S	S	1 & 2	A7R150S
			T					U	U			
			R					3 & 4	B7R150S			
			T							U	-	
			R							5 & 6	C7R150S	
			T									-
1.5:1	1000	X	R & T	25.0	18.0	2941	332	As Listed			1 to 6	As Listed
1.87:1	540	X	T	17.0	12.0	3703	418	T	U	U	1 & 2	A7T187U
			T					U	-	3 & 4	B7T187U	
			T					-	U	5 & 6	C7T187U	
1.87:1	1000	X	R & T	25.0	18.0	2941	332	As Listed			1 to 6	As Listed

### GEAR ASSEMBLY & SHAFT ROTATION

