



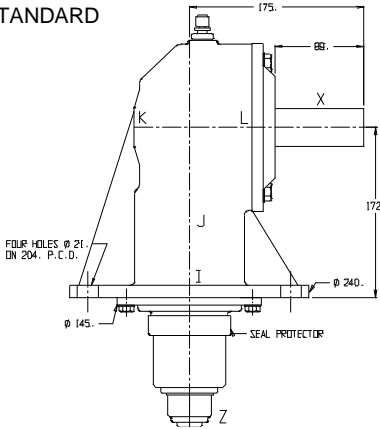
HADBRO TRANSMISSION PRODUCTS

SLASHER GEARBOX

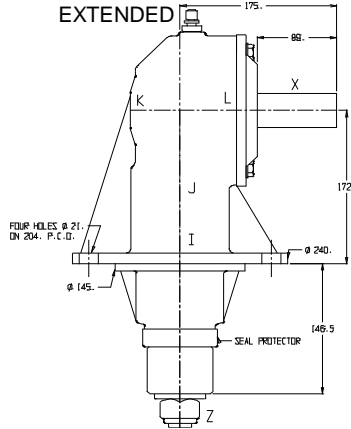
MODEL:

GB-20

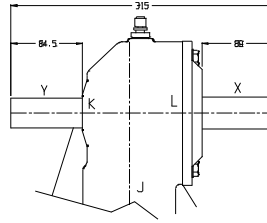
STANDARD



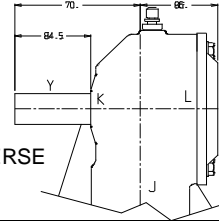
EXTENDED



THRU' SHAFT



REVERSE



BEARINGS

ASS 1 & 2

I - 32208

J - 30308

K - 6205

L - 6308

ASS 3 & 4

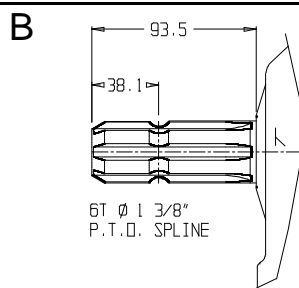
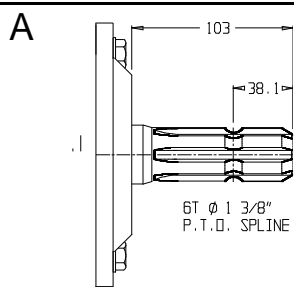
I - 32208

J - 30308

K - 6007

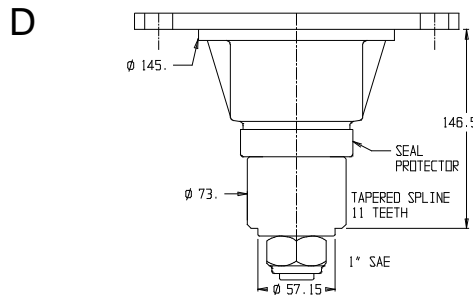
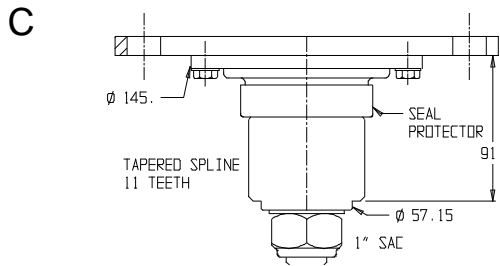
L - 6308

GEAR SHAFT DETAILS



WEIGHT
 STD = 25.5 Kg
 EXT = 27.5 Kg

GEAR LUBRICATION
 SAE HD 90



GEARS
 CASE HARDENED
SHAFTS
 HARDENED &
 GROUND

RATIO	INPUT R.P.M.	INPUT SHAFT	INPUT TYPE	POWER		OUTPUT TORQUE		SHAFTS			GEAR ASSEMBLY	CODE No
				H.P.	K.W.	Lb Ins	NM	X	Y	Z		
1:1.92	540	X	A	35.0	26.0	4085	461	A	-	C	1	A20C192
			A					A	B	C	3	A20C192B
1:1.93	540	X	A	45.0	33.0	5252	593	A	B	C	3	A20C193
			A					A	B	D	3	A20C193B
			A					A	-	C	1	A20D193
1:1.92	540	Y	B	35.0	26.0	4085	461	-	B	C	2	B20C192
45.0				33.0	5252	593	-	B	C	2	B20C193	
1:1.93				-	B	D	2	B20D193				

GEAR ASSEMBLY & SHAFT ROTATION

