



# HABRO TRANSMISSION PRODUCTS

## SLASHER GEARBOX

PAGE 1 of 1

MODEL:

### GB-23

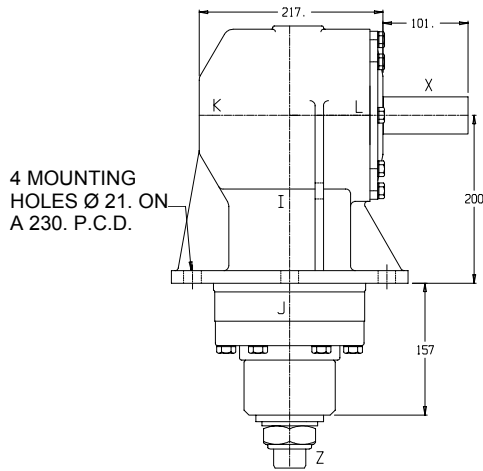
#### BEARINGS

K-LM48548/LM48510

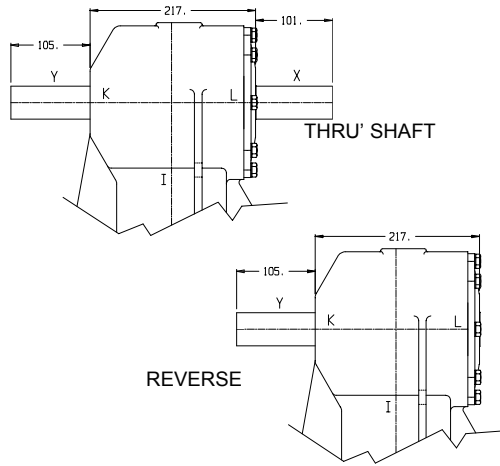
L - 32014

I - 30311

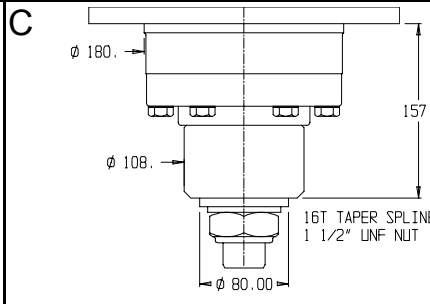
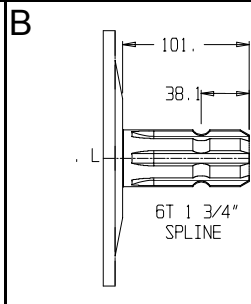
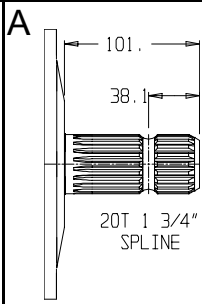
J - 30311



4 MOUNTING HOLES Ø 21. ON A 230. P.C.D.



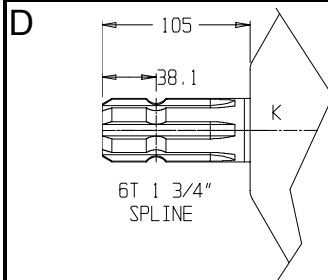
#### GEAR SHAFT DETAILS



**WEIGHT**  
55 Kg

#### GEAR LUBRICATION

SAE HD 85W/140



**GEARS**  
CASE HARDENED  
**SHAFTS**  
INDUCTION HARDENED & GROUND

	RATIO	INPUT R.P.M.	INPUT SHAFT	INPUT TYPE	POWER		OUTPUT TORQUE		SHAFTS			GEAR ASSEMBLY	CODE No
					H.P.	K.W.	Lb Ins	NM	X	Y	Z		
SPEED INCREASING UNITS	1:1.5	540	X	A	120.0	90.0	14000	1580	A	-	C	1	A23C150
				B					B	-	C	1	B23C150
	1:1.93	540	X	A	110.0	82.0	12838	1450	A	-	C	1	A23C193
				B					B	-	C	1	B23C193
	1:1.5	540	X	D	120.0	90.0	14000	1580	-	D	C	2	D23C150
				D					-	D	C	2	D23C193
1:1.5	540	X	B	120.0	90.0	14000	1580	B	D	C	3	B23C150D	
			B					B	D	C	3	B23C193D	

#### GEAR ASSEMBLY & SHAFT ROTATION

