



HARDMAN BROS PTY LTD

385-393 LOWER DANDENONG ROAD,
DINGLEY, VIC 3172 AUSTRALIA
TELEPHONE: (03) 9552 6500 FACSIMILE: (03) 9551 8060
WEB: www.hardmanbros.com.au
EMAIL: info@hardmanbros.com.au



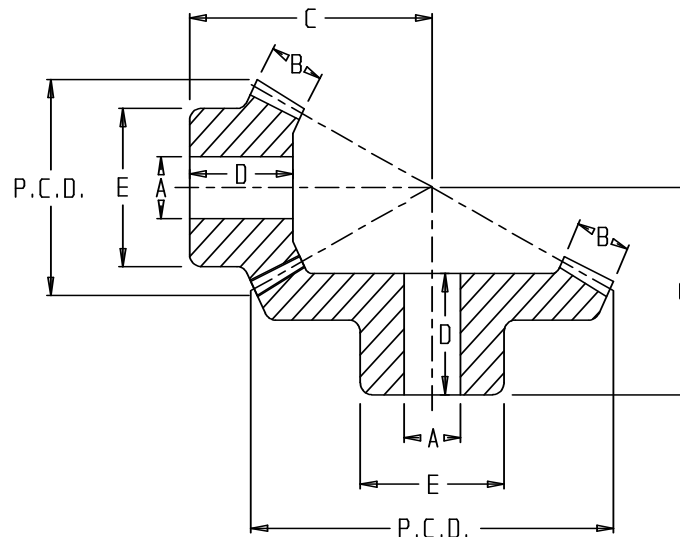
DIAMETRAL PITCH - RATIO BEVEL GEARS

MATERIAL CAST IRON AS1830

April 2016

MATERIAL STEEL K1040 - K1045 SUITABLE FOR FLAME OR INDUCTION HARDENING

PART No.	TEETH	RATIO	PITCH	MAT'L	Dimensions in inches						\$ Ex GST
					PCD	A	B	C	D	E	
R63618G	36	2:1	6 DP	STEEL	6	1 1/8	1 1/8	3 1/2	2 11/32	3 3/4	\$152.40
R63618P	18		6 DP	STEEL	3	1	1 1/8	4 3/4	2 13/16	2 1/2	\$104.40
R66015G	60	4:1	6 DP	IRON	10	1 1/8	1 1/4	3 1/4	2 1/8	3 1/4	\$423.60
R66015P	15		6 DP	STEEL	2 1/2	1	1 1/4	6 3/4	3	2 1/8	\$106.80
R53015G	30	2:1	5 DP	IRON	6	1 1/8	1 3/8	3 1/2	2 7/16	3 1/4	\$304.80
R53015P	15		5 DP	STEEL	3	1	1 3/8	4 3/8	2 31/45	2 5/8	\$148.00
R54515G	45	3:1	5 DP	IRON	9	1 1/4	1 3/8	3 3/4	2 1/2	3 3/4	\$330.00
R54515P	15		5 DP	STEEL	3	1	1 3/8	5 7/8	2 3/4	2 5/8	\$144.00
R56015G	60	4:1	5 DP	IRON	12	1 1/4	1 3/4	3 3/4	2 5/8	4	\$526.80
R56015P	15		5 DP	STEEL	3	1	1 3/4	7 1/2	3 1/4	3	\$148.00
R45614G	56	4:1	4 DP	IRON	14	1 1/4	1 3/4	4 1/4	2 7/8	4 3/16	\$681.60
R45614P	14		4 DP	STEEL	3 1/2	1 1/8	1 3/4	9	3 3/4	3 1/4	\$201.60





HARDMAN BROS PTY LTD

385-393 LOWER DANDENONG ROAD,
DINGLEY, VIC 3172 AUSTRALIA
TELEPHONE: (03) 9552 6500 FACSIMILE: (03) 9551 8060
WEB: www.hardmanbros.com.au
EMAIL: info@hardmanbros.com.au

A.B.N.: 50 004 436 711
Certified System
Quality
ISO 9001

DIAMETRAL PITCH - RATIO BEVEL GEARS

April 2016

MATERIAL STEEL K1040 - K1045 SUITABLE FOR FLAME OR INDUCTION HARDENING

PART No.	TEETH	RATIO	PITCH	MAT'L	Dimensions in inches						\$ Ex GST
					PCD	A	B	C	D	E	
R123618G	36	2:1	12 DP	STEEL	3.00"	5/8	1/2	1 1/2	1	1 7/16	\$75.60
R123618P	18		12 DP	STEEL	1.50"	1/2	1/2	2 1/4	111/50	1 1/4	\$48.00
R124824G	48	2:1	12 DP	STEEL	4	5/8	5/8	2	1 5/16	2 1/2	\$104.40
R124824P	24		12 DP	STEEL	2	1/2"	5/8	2 7/8	1 1/2	1 1/2	\$61.20
R125418G	54	3:1	12 DP	STEEL	4 1/2	5/8	5/8	1 3/4	1 1/4	3	\$110.40
R125418P	18		12 DP	STEEL	1 1/2	1/2	5/8	3	1 3/8	1 1/4	\$50.40
R127218G	72	4:1	12 DP	STEEL	6	3/4	5/8	2	1 7/16	2	\$148.80
R127218P	18		12 DP	STEEL	1 1/2	1/2	5/8	3 3/4	1 3/8	1 1/4	\$51.60
R103020G	30	1.5:1	10 DP	STEEL	3	3/4	5/8	2 1/4	1 5/8	2	\$85.20
R103020P	20		10 DP	STEEL	2	3/4	5/8	2 1/2	1 9/16	1 3/4	\$66.00
R104020G	40	2:1	10 DP	STEEL	4	3/4	3/4	2 1/2	1 7/8	3	\$97.20
R104020P	20		10 DP	STEEL	2	3/4	3/4	3 1/8	1 27/32	1 3/4	\$68.40
R106020G	60	3:1	10 DP	STEEL	6	7/8	13/16	2 3/4	1 7/8	3	\$156.00
R106020P	20		10 DP	STEEL	2	3/4	13/16	4 3/8	2 3/16	1 3/4	\$68.40
R106015G	60	4:1	10 DP	STEEL	6	7/8	3/4	2 1/4	1 1/2	2 1/4	\$152.40
R106015P	15		10 DP	STEEL	1 1/2	5/8	3/4	3 7/8	1 5/8	1 7/16	\$60.00
R84020G	40	2:1	8 DP	STEEL	5	1	7/8	2 7/8	1 7/8	3	\$144.00
R84020P	20		8 DP	STEEL	2 1/2	7/8	7/8	4	2 11/32	2 1/8	\$86.40
R84816G	48	3:1	8 DP	STEEL	6	7/8	7/8	2 3/8	1 1/2	2 3/4	\$174.00
R84816P	16		8 DP	STEEL	2	3/4	7/8	4 1/4	2 1/8	1 3/4	\$82.80

