



# HADBRO TRANSMISSION PRODUCTS

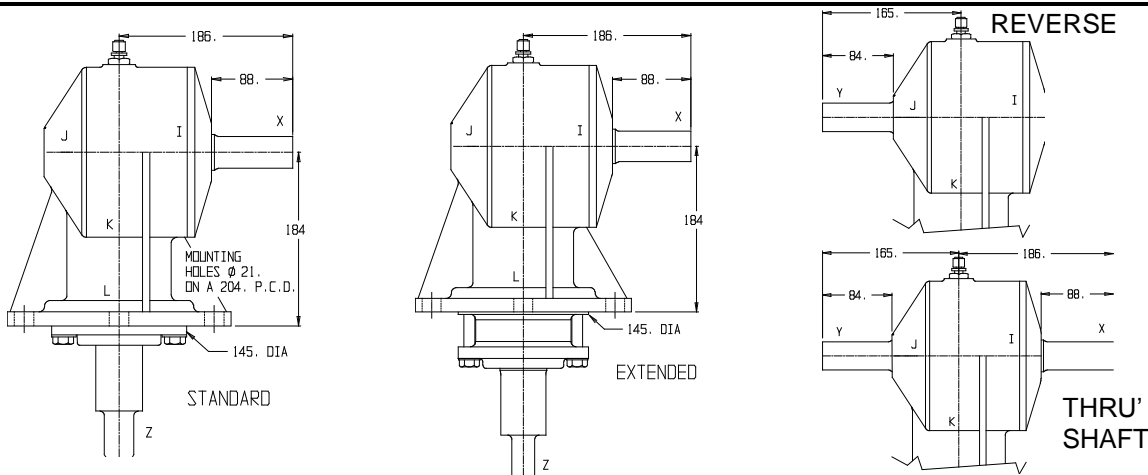
## SLASHER GEARBOX

MODEL:

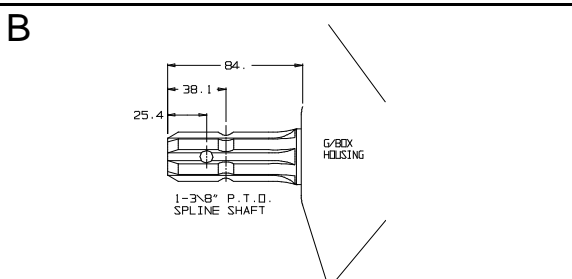
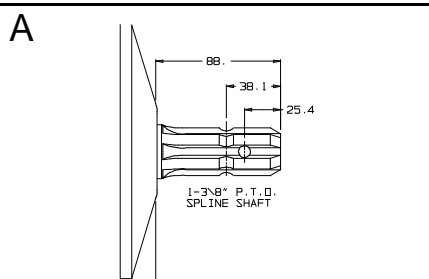
### GB-15

#### BEARINGS

- I - 2788/2735X
- J - LM48548/LM48510
- K, L - 28521/28584



#### GEAR SHAFT DETAILS

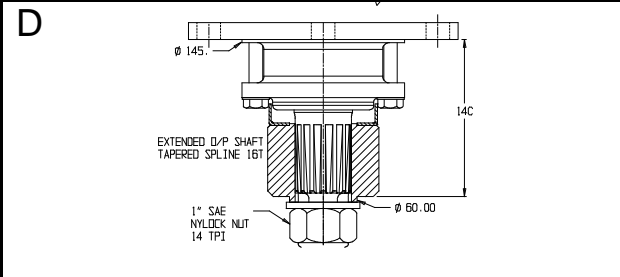
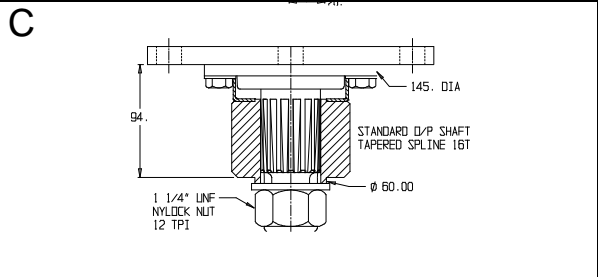


#### WEIGHT

- STD = 28 Kg
- EXT = 34 Kg

#### GEAR LUBRICATION

- 1.25L
- Mobilube HD Plus
- 85W-140



#### GEARS

- CASE HARDENED
- SHAFTS
- HARDENED & GROUND

|                        | RATIO  | INPUT R.P.M. | INPUT SHAFT | INPUT TYPE | POWER |      | OUTPUT TORQUE |     | SHAFTS |   |   | GEAR ASSY | CODE No   | PRICE EX GST |
|------------------------|--------|--------------|-------------|------------|-------|------|---------------|-----|--------|---|---|-----------|-----------|--------------|
|                        |        |              |             |            | H.P.  | K.W. | Lb Ins        | NM  | X      | Y | Z |           |           |              |
| SPEED INCREASING UNITS | 1:1.5  | 540          | X           | A          | 75.0  | 56.0 | 8753          | 989 | A      | - | C | 1         | A15C150   | \$1050.00    |
|                        |        |              | X           | A          |       |      |               |     | A      | - | D | 1         | A15D150   | \$1050.00    |
|                        |        |              | Y           | B          |       |      |               |     | -      | B | C | 2         | B15C150   | \$1050.00    |
|                        |        |              | Y           | B          |       |      |               |     | -      | B | D | 2         | B15D150   | \$1050.00    |
|                        |        |              | X           | A          |       |      |               |     | A      | B | C | 3         | A15B150C  | \$1050.00    |
|                        |        |              | X           | A          |       |      |               |     | A      | B | D | 3         | A15B150D  | \$1050.00    |
|                        | 1:1.93 | 540          | X           | A          | 73.0  | 54.0 | 8520          | 962 | A      | - | C | 1         | A15C193   | \$1050.00    |
|                        |        |              | X           | A          |       |      |               |     | A      | - | D | 1         | A15D193   | \$1050.00    |
|                        |        |              | Y           | B          |       |      |               |     | -      | B | C | 2         | B15C193   | \$1050.00    |
|                        |        |              | Y           | B          |       |      |               |     | -      | B | D | 2         | B15D193   | \$1050.00    |
| X                      |        |              | A           | A          |       |      |               |     | B      | C | 3 | A15B193C  | \$1050.00 |              |
| X                      |        |              | A           | A          |       |      |               |     | B      | D | 3 | A15B193D  | \$1050.00 |              |

#### GEAR ASSEMBLY & SHAFT ROTATION

