



HADBRO TRANSMISSION PRODUCTS

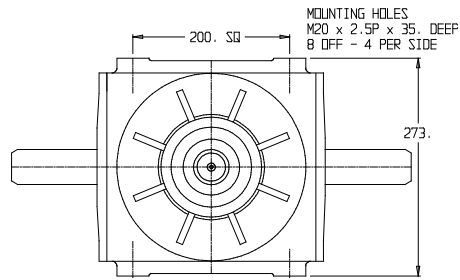
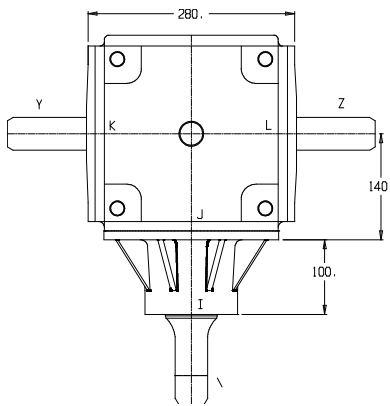
MISCELLANEOUS APPLICATIONS

MODEL:

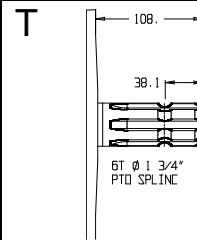
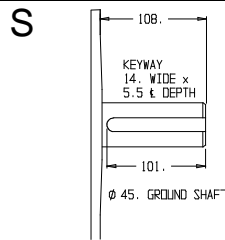
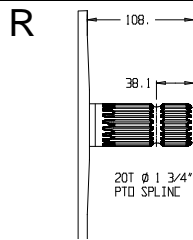
GB-26

BEARINGS

- I - 32016
- J - 33211
- K - 33209
- L - 32016



SHAFT DETAILS

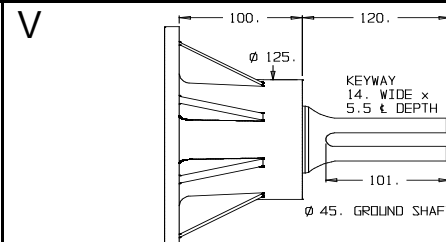
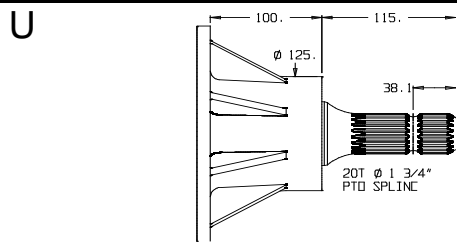


WEIGHT

78 Kg

GEAR LUBRICATION

Mobilube HD Plus
85W-140



GEARS

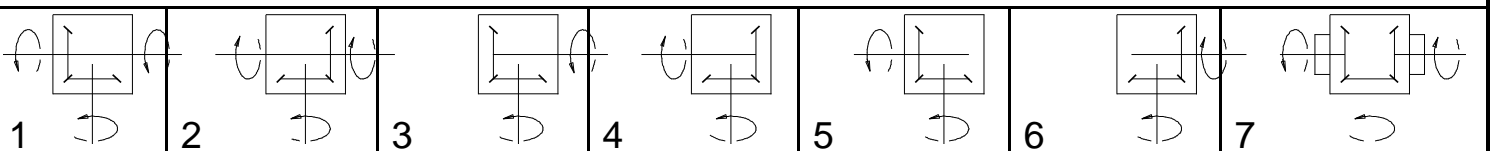
CASE HARDENED

SHAFTS

HARDENED & GROUND

RATIO	INPUT R.P.M.	INPUT SHAFT	INPUT TYPE	POWER		OUTPUT TORQUE		SHAFTS			GEAR ASSY	CODE No	PRICE EX GST
				H.P.	K.W.	Lb Ins	NM	X	Y	Z			
1:1	540	X	U	190	141	22170	2505	U	R	R	1 & 2	A26U100R	\$2450.00
			V					S	S	A26V100S		\$2450.00	
			U					T	T	A26U100T		\$2450.00	
			U					R	-	3 & 4	B26U100R	\$2450.00	
			V					S	-		B26V100S	\$2450.00	
			U					T	-		B26U100T	\$2450.00	
			U					-	R	5 & 6	C26U100R	\$2450.00	
			V					-	S		C26V100S	\$2450.00	
			U					-	T		C26U100T	\$2450.00	
			U					U	U	7	D26U100U	\$3450.00	
V	V	V	D26V100V	\$3450.00									

GEAR ASSEMBLY & SHAFT ROTATION





HADBRO TRANSMISSION PRODUCTS

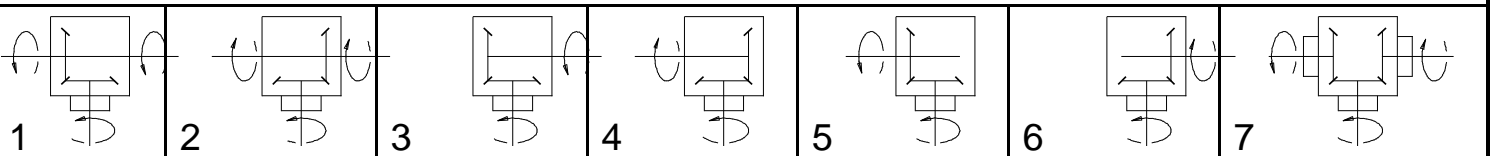
MISCELLANEOUS APPLICATIONS

MODEL:

GB-26

RATIO	INPUT R.P.M.	INPUT SHAFT	INPUT TYPE	POWER		OUTPUT TORQUE		SHAFTS			GEAR ASSY	CODE No	PRICE EX GST							
				H.P.	K.W.	Lb Ins	NM	X	Y	Z										
SPEED INCREASING UNITS 1:1.53	540	X	U	160	119	12210	1380	U	R	R	1 & 2	A26U153R	\$2450.00							
			V					S	S	A26V153S		\$2450.00								
			U					T	T	A26U153T		\$2450.00								
			U					3 & 4	-	-	B26U153R	\$2450.00								
			V										S	-	B26V153S	\$2450.00				
			U										T	-	B26U153T	\$2450.00				
			U										-	R	C26U153R	\$2450.00				
			V										-	S			C26V153S	\$2450.00		
			U										-	T			C26U153T	\$2450.00		
			SPEED INCREASING UNITS 1:1.88					540	X	U	140	104	8714	984	U	R	R	1 & 2	A26U188R	\$2450.00
										V					S	S	A26V188S		\$2450.00	
										U					T	T	A26U188T		\$2450.00	
U	3 & 4	-		-	B26U188R	\$2450.00														
V							S			-					B26V188S	\$2450.00				
U							T			-					B26U188T	\$2450.00				
U							-			R					C26U188R	\$2450.00				
V							-			S							C26V188S	\$2450.00		
U							-			T							C26U188T	\$2450.00		
SPEED REDUCTION UNITS 1:0.65	540	X		U	130	97	23210			2622					U	R	R	1 & 2	A26U065R	\$2450.00
				V											S	S	A26V065S		\$2450.00	
				U											T	T	A26U065T		\$2450.00	
			U	3 & 4				-	-		B26U065R	\$2450.00								
			V										S	-	B26V065S	\$2450.00				
			U										T	-	B26U065T	\$2450.00				
			U										-	R	C26U065R	\$2450.00				
			V										-	S			C26V065S	\$2450.00		
			U										-	T			C26U065T	\$2450.00		
			SPEED REDUCTION UNITS 1:0.53	540				X	U		110	82	24072	2720	U	R	R	1 & 2	A26U053R	\$2450.00
									V						S	S	A26V053S		\$2450.00	
									U						T	T	A26U053T		\$2450.00	
U	3 & 4	-			-	B26U053R	\$2450.00													
V									S	-					B26V053S	\$2450.00				
U									T	-					B26U053T	\$2450.00				
U									-	R					C26U053R	\$2450.00				
V									-	S							C26V053S	\$2450.00		
U									-	T							C26U053T	\$2450.00		

GEAR ASSEMBLY & SHAFT ROTATION





HADBRO TRANSMISSION PRODUCTS

SLASHER GEARBOX

MODEL:

GB-26

BEARINGS

- I – 32016
- J – 33211
- K – 33209
- L – 32016
- M – 32016
- N – 33211

WEIGHT

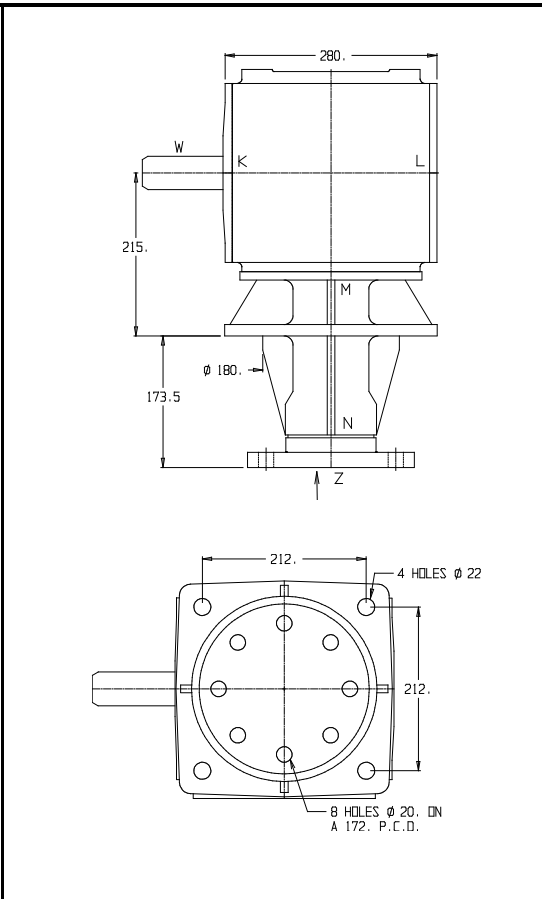
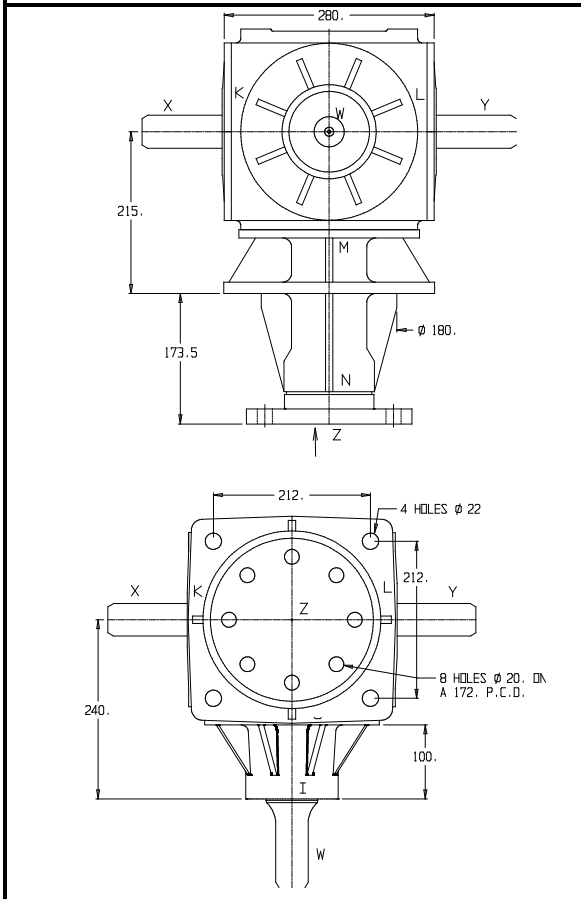
T/S & CUTTER HEAD
= 109 Kg
CUTTER HEAD ONLY
= 100 Kg

GEAR LUBRICATION

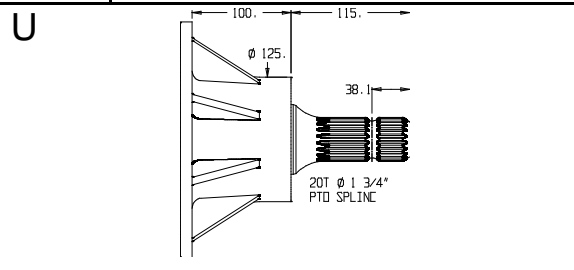
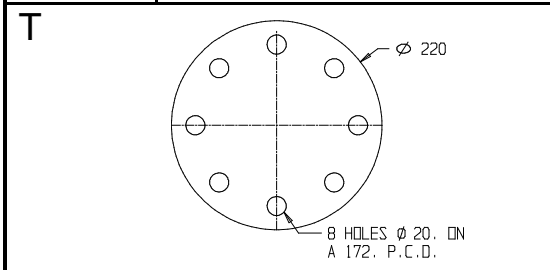
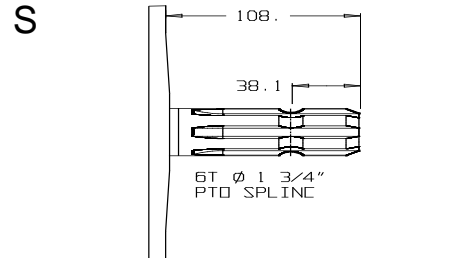
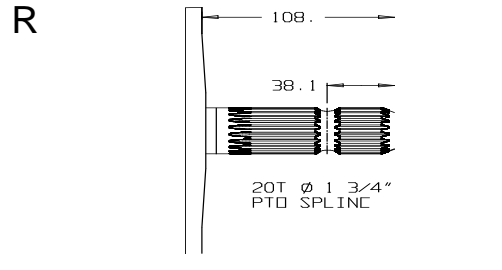
Mobilube HD Plus
85W-140

GEARS

CASE HARDENED
SHAFTS
HARDENED & GROUND

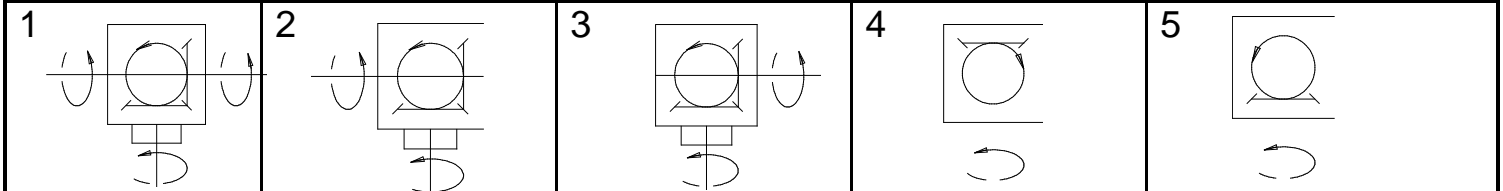


SHAFT DETAILS



RATIO	INPUT R.P.M.	INPUT SHAFT	INPUT TYPE	POWER		OUTPUT TORQUE		SHAFTS				GEAR ASSY	CODE No	PRICES EX GST
				H.P.	K.W.	Lb Ins	NM	W	X	Y	Z			
1:1	540	W	R	190	141	22175	2505	R	-	-	T	4	B26R100T	\$3450.00
			S					-	-	T	B26S100T		\$3450.00	
			R					-	-	T	5	C26R100T	\$3450.00	
			S					-	-	T		C26S100T	\$3450.00	

GEAR ASSEMBLY & SHAFT ROTATION – LOOKING FROM TOP





HADBRO TRANSMISSION PRODUCTS

SLASHER GEARBOX

MODEL:

GB-26

RATIO	INPUT R.P.M.	INPUT SHAFT	INPUT TYPE	POWER		OUTPUT TORQUE		SHAFTS				GEAR ASSY	CODE No	PRICE EX GST				
				H.P.	K.W.	Lb Ins	NM	W	X	Y	Z							
1:1.53	540	W	U	160	119	12210	1380	U	R	R	T	1	A26U15RT	\$3750.00				
			U					S	S	T	A26U15ST		\$3750.00					
			U					160	119	12210	1380	U	R	-	T	2	B26U15RT	\$3750.00
			U									S	-	T	B26U15ST		\$3750.00	
			U									-	R	T	3	C26U15RT	\$3750.00	
			U									-	S	T		C26U15ST	\$3750.00	
			R	160	119	12210	1380	R	-	-	T	4	B26R153T	\$3750.00				
			S					-	-	T	B26S153T		\$3750.00					
			R					-	-	T	5	C26R153T	\$3750.00					
			S					-	-	T		C26S153T	\$3750.00					
1:1.88	540	W	U	140	104	8714	984	U	R	R	T	1	A26U18RT	\$3750.00				
			U					S	S	T	A26U18ST		\$3750.00					
			U					140	104	8714	984	U	R	-	T	2	B26U18RT	\$3750.00
			U									S	-	T	B26U18ST		\$3750.00	
			U									-	R	T	3	C26U18RT	\$3750.00	
			U									-	S	T		C26U18ST	\$3750.00	
			R	140	104	8714	984	R	-	-	T	4	B26R188T	\$3750.00				
			S					-	-	T	B26S188T		\$3750.00					
			R					-	-	T	5	C26R188T	\$3750.00					
			S					-	-	T		C26S188T	\$3750.00					

SPEED INCREASING UNITS

GEAR ASSEMBLY & SHAFT ROTATION- LOOKING FROM TOP

