



# HADBRO TRANSMISSION PRODUCTS

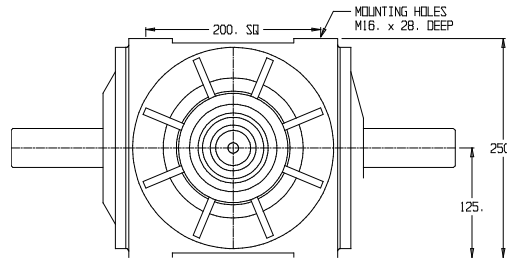
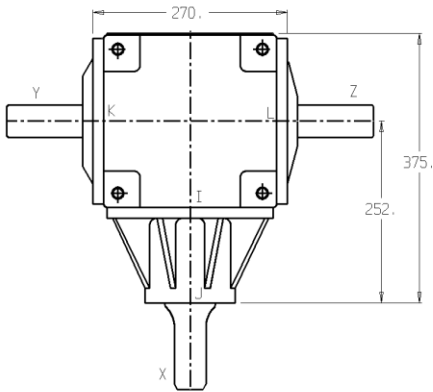
## MISCELLANEOUS APPLICATIONS

MODEL:

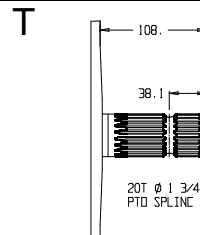
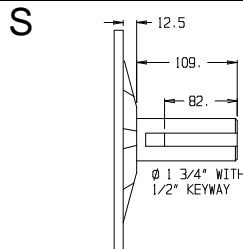
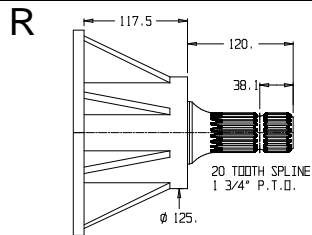
### GB-38

#### BEARINGS

- I – 32016
- J – 33211
- K – 33209
- L – 32016

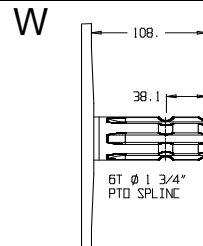
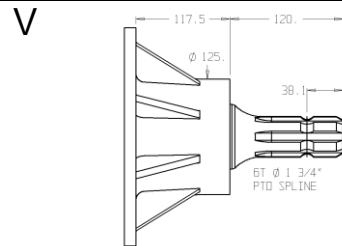
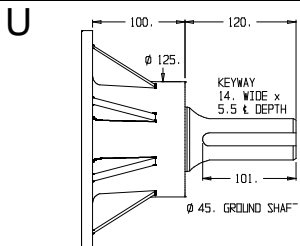


#### SHAFT DETAILS



**WEIGHT**  
71 Kg

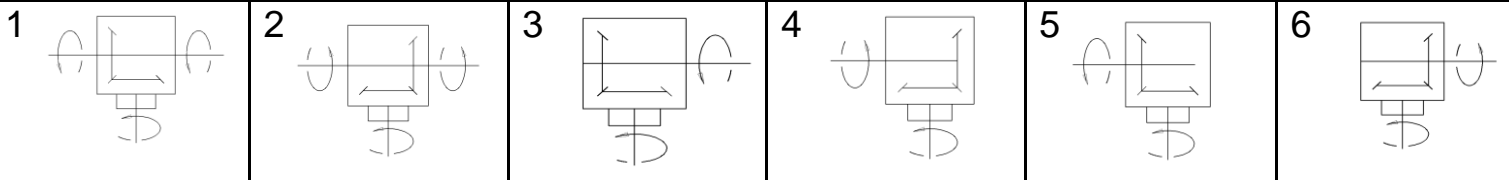
**GEAR LUBRICATION**  
HD 85W\140



**GEARS**  
CASE HARDENED  
**SHAFTS**  
**HARDENED & GROUND**

RATIO	INPUT R.P.M.	INPUT SHAFT	INPUT TYPE	POWER		OUTPUT TORQUE		SHAFTS			GEAR ASSY	CODE No	PRICE EX GST
				H.P.	K.W.	Lb Ins	NM	X	Y	Z			
1:1	540	X	R	190	140	22100	2500	R	S	S	1 & 2	A38R100S	\$2750.00
			R					T	T	A38R100T		\$2750.00	
			U					S	S	A38U100S		\$2750.00	
			V					W	W	A38V100W		\$2750.00	
			R					S	-	3 & 4	B38R100S	\$2750.00	
			R					T	-		B38R100T	\$2750.00	
			U					S	-		B38U100S	\$2750.00	
			V					W	-		B38V100W	\$2750.00	
			R					-	S	5 & 6	C38R100S	\$2750.00	
			R					-	T		C38R100T	\$2750.00	
			U					-	S		C38U100S	\$2750.00	
			V					-	W		C38V100W	\$2750.00	

#### GEAR ASSEMBLY & SHAFT ROTATION





# HADBRO TRANSMISSION PRODUCTS

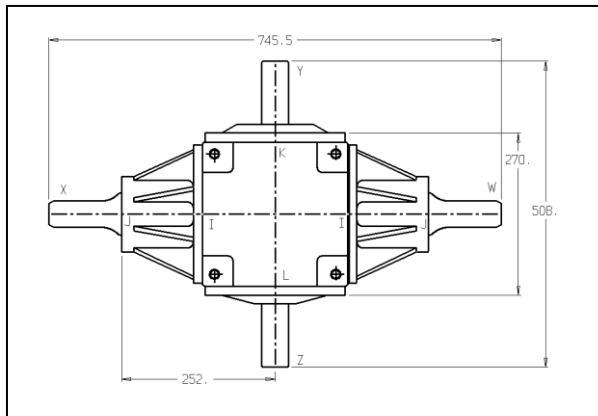
## MISCELLANEOUS APPLICATIONS

MODEL:

### GB-38

#### BEARINGS

- I – 32016
- J – 33211
- K – 33209
- L – 32016



RATIO	INPUT R.P.M.	INPUT SHAFT	INPUT TYPE	POWER		OUTPUT TORQUE		SHAFTS				GEAR ASSY	CODE No	PRICE EX GST
				H.P.	K.W.	Lb Ins	NM	W	X	Y	Z			
1:1	540	Z	T	190	140	22100	2500	R	R	-	T	7	D38T100R	\$3150.00
			R					R	T	T	8	E38R100T	\$3900.00	

**GEAR ASSEMBLY & SHAFT ROTATION – LOOKING FROM TOP**

<b>7</b> 	<b>8</b> 			
--------------	--------------	--	--	--