



# HADBRO TRANSMISSION PRODUCTS

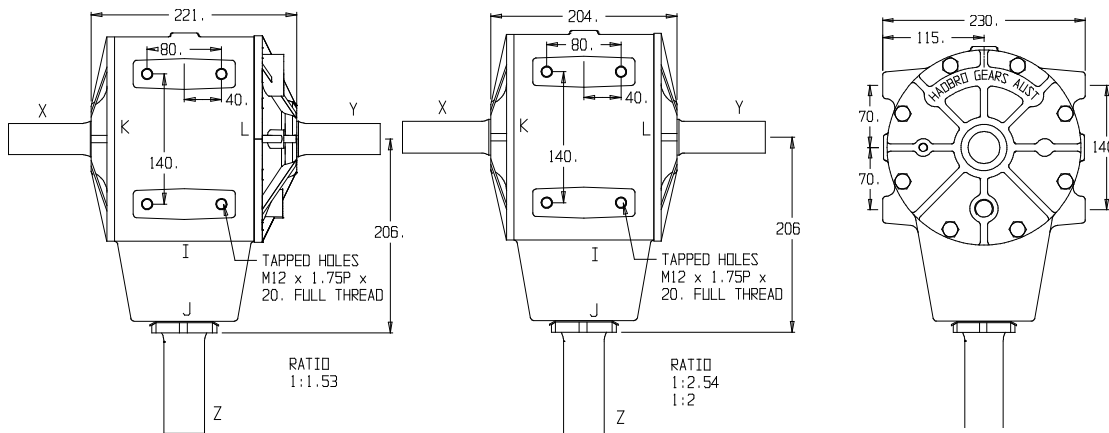
TOPPING \ WINDROWING \ BRUSH CUTTERS & MISCELLANEOUS APPLICATIONS

MODEL:

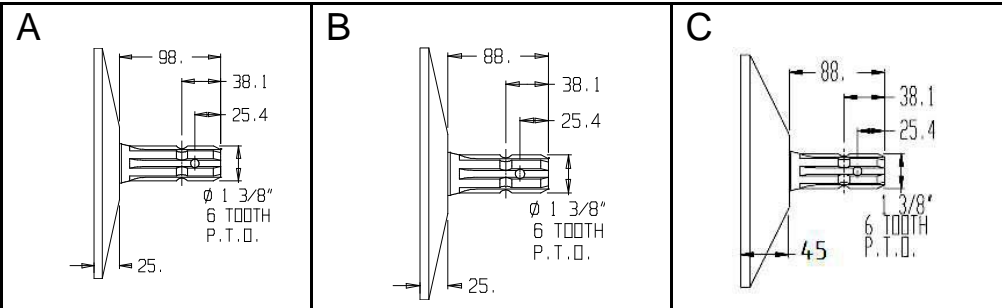
## GB-13

### BEARINGS

- I – 28521/28584
- J – 28521/28580
- K – M12610/M12649
- L – 2735x/2788



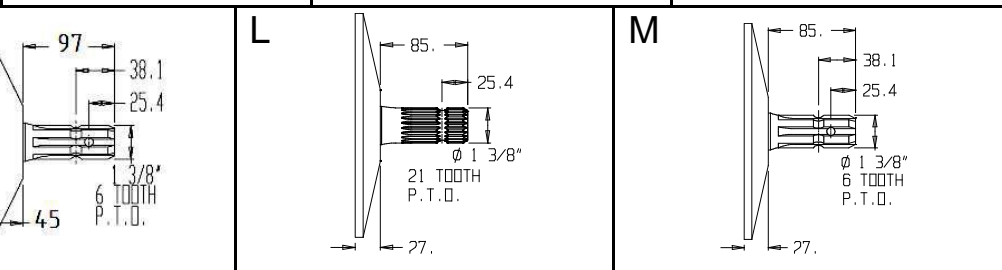
OUTPUT SHAFT DETAILS



**WEIGHT**  
34 Kg

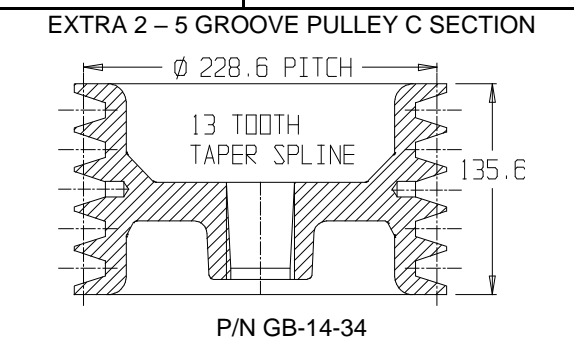
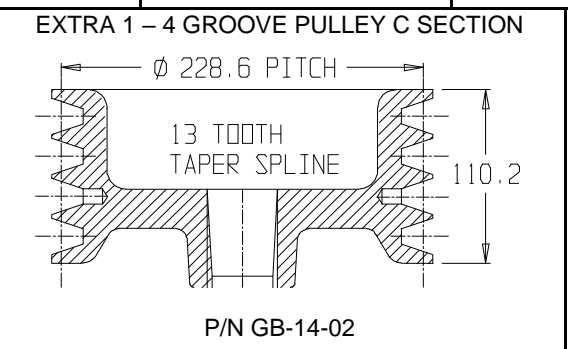
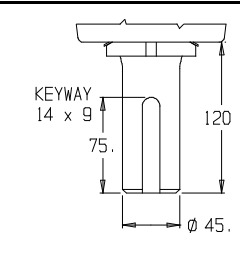
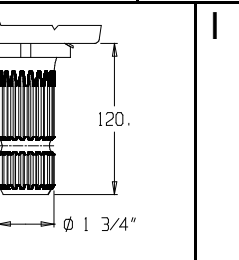
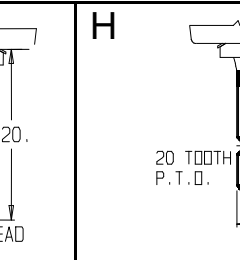
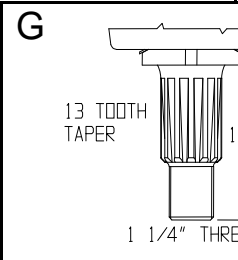
**GEAR LUBRICATION**  
Mobilube HD Plus  
80W-90

INPUT SHAFT DETAIL



EXTRA 1 – 4 GROOVE PULLEY C SECTION

P/N GB-14-02





# HADBRO TRANSMISSION PRODUCTS

PAGE 2 of 2

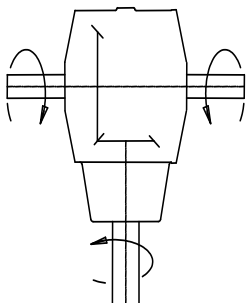
TOPPING \ WINDROWING \ BRUSH CUTTERS & MISCELLANEOUS APPLICATIONS

MODEL:

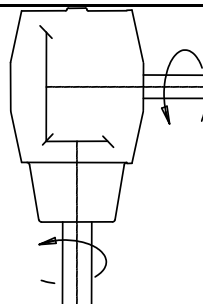
**GB-13**

RATIO	INPUT R.P.M.	INPUT SHAFT	INPUT TYPE	POWER		OUTPUT TORQUE		SHAFTS			GEAR ASSY	CODE No	PRICE EX GST
				H.P.	K.W.	Lb Ins	NM	X	Y	Z			
1:1.53	540	X/Y	B	120.0	89.0	9157	1034	B	C	G	Thru	B13G153C	\$2190.00
		X/Y	B					B	C	H	Thru	B13H153C	\$2190.00
		X/Y	B					B	C	I	Thru	B13I153C	\$2190.00
		X/Y	B					B	C	J	Thru	B13J153C	\$2190.00
1:1.53	540	Y	F	120.0	89.0	9157	1034	-	F	G	Reverse	F13G153R	\$2190.00
		Y	F					-	F	H	Reverse	F13H153R	\$2190.00
		Y	F					-	F	I	Reverse	F13I153R	\$2190.00
		Y	F					-	F	J	Reverse	F13J153R	\$2190.00
1:1.53	540	Y	L	120.0	89.0	9157	1034	-	L	G	Reverse	L13G153R	\$2190.00
		Y	L					-	L	H	Reverse	L13H153R	\$2190.00
		Y	L					-	L	I	Reverse	L13I153R	\$2190.00
		Y	L					-	L	J	Reverse	L13J153R	\$2190.00
1:1.53	540	X	N	120.0	89.0	9157	1034	N	-	G	Normal	N13G153	\$2190.00
		X	N					N	-	H	Normal	N13H153	\$2190.00
		X	N					N	-	I	Normal	N13I153	\$2190.00
		X	N					N	-	J	Normal	N13J153	\$2190.00
1:1.53	1000	-	-	140.0	104.0	5769	651	As Listed			As Listed	As Listed	
1:2	540	Y	A	110.0	82.0	6419	725	L	-	G	Normal	L13G200	\$2190.00
		Y	A					M	-	G	Normal	M13G200	\$2190.00
1:2	1000	-	-	330.0	97.0	4096	462	As Listed			As Listed	As Listed	
1:2.54	540	Y	A	95.0	70.0	4367	493	-	A	G	Reverse	A13G254R	\$2190.00
		Y	A					-	A	H	Reverse	A13H254R	\$2190.00
		Y	A					-	A	I	Reverse	A13I254R	\$2190.00
		Y	A					-	A	J	Reverse	A13J254R	\$2190.00
1:2.54	540	X	A	95.0	70.0	4367	493	A	-	G	Normal	A13G254	\$2190.00
		X	A					A	-	H	Normal	A13H254	\$2190.00
		X	A					A	-	I	Normal	A13I254	\$2190.00
		X	A					A	-	J	Normal	A13J254	\$2190.00

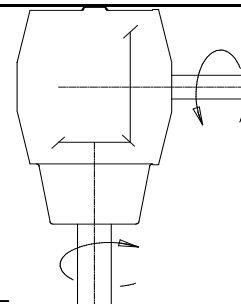
SPEED INCREASING UNITS



Thru



Reverse -  
Shafts rotate  
same direction.



Normal -  
Shafts rotate  
opposite direction.